

Speedball®



Collaborative Creatures

GRADES K-12

Cross Curricular: Art & Language Arts

Lesson Plan by Aesthetic Apparatus &
Nadine Dresbach, Art Consultant

Content & Achievement Standards:

Visual Arts Standard # 1
Understanding and applying media, techniques, and processes.

Visual Arts Standard #2
Using knowledge of structures and functions.

Visual Arts Standard #6
Making connections between visual art and other disciplines.

DESCRIPTION

This project explores the basics of the screen print process by embracing a cut paper technique to create your image stencil. This is the easiest way to introduce students to screen printing.

Students are to create several different cut paper stencils. Each one is a part of a mythical creature. For example, five students in the class may be in charge of creating heads and feet while five other students would create legs and hands, five others torsos and arms... but be sure to add in a few tails and horns!

Put students together in small groups and have them share a printing screen. They begin by printing a torso and making a minimum of ten copies. Next they print arms on each torso and legs...printing each one several times so that they can choose their best prints as their finished pieces. When finished, the group of students can then transition into writing mode and develop a habitat, history and lifestyle for this mythical creature that they have created.

THEME

This method of building onto another's words or image historically is called "Exquisite Corpse." This method is used in artwork as well as storytelling and poetry. Therefore, their art and their writing can each follow this method. After they build their mythical creature they can then build their story, each student in the group adding another line to the story.

OBJECTIVES

- ❑ Students will gain knowledge history on the concept of the term “Exquisite Corpse” and how it is used in visual and literary works of art.
- ❑ Students will work collaboratively to create a unique series of prints.
- ❑ Students will utilize the elements of composition when assembling their prints.
- ❑ Students will participate in the methods of the screen printing process.

MATERIALS

A Speedball Permanent Acrylic Inks

An array of colors is preferable to facilitate interaction of color.

B Spatulas

C Squeegee (one per student or group of students)

D Speedball screen printing base unit, hinge clamps or any means available to keep frames stable while printing

E Speedball Wood Printing Screens

❑ Roll of tape (Packing tape works well.)

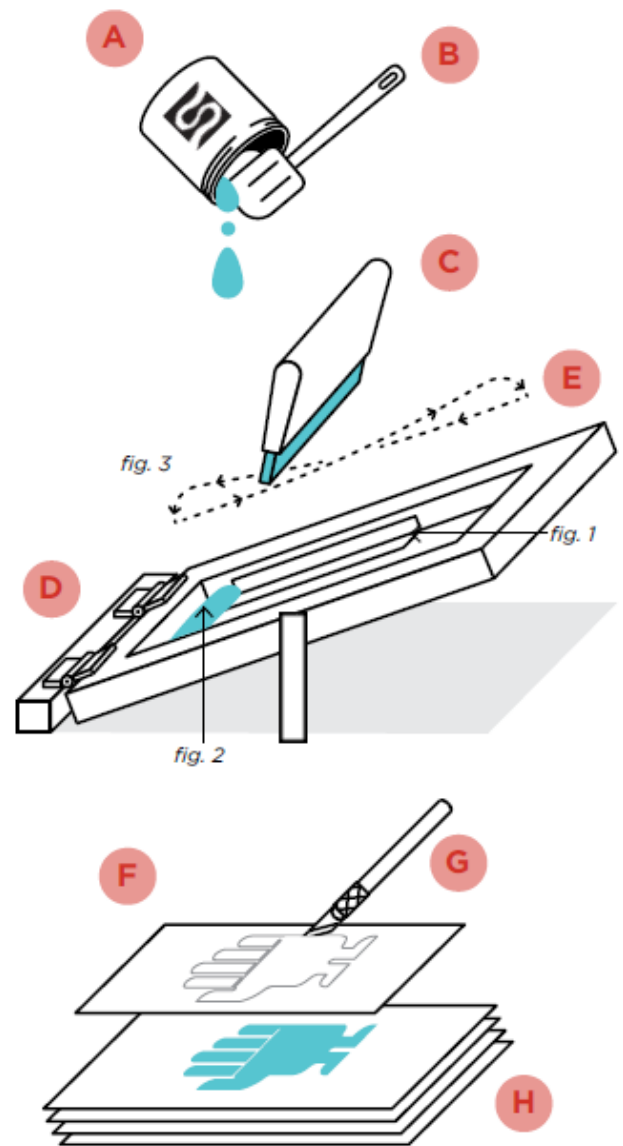
F Bienfang® Graphics 360™ Marker Paper. (Note: A thin but strong sheet is required. Rice paper or calligraphy paper can work as well.)

G X-ACTO® knife (#1), scissors, or other stencil cutting tool

H Paper for printing. Preferably the same size, or larger than the stencil paper. Any uncoated paper can do, but the thicker the better. (Thin papers like bond paper or construction paper are not recommended.)

❑ Drying rack, or any flat surface to dry prints

❑ Sponge, soap and water for clean up



TECHNICAL PROCESS

- 1. Introducing an “Exquisite Corpse”** A simple way to introduce your students to the concept of an exquisite corpse is through the quick game of folding a sheet of paper three times, having students draw a head, body, and legs on each third without seeing the other drawings, then unfolding the page to see the finished figure.
- 2. Demonstrate stencil technique** Outline what is and is not possible with cut stencil. A stencil cut from the edge of the paper with scissors can still print effectively, as long as the stencil sheet is still in one piece.
- 3. Set up your screen printing frame** Make sure your frame, hinge clamps, or screen holder are properly secured. Your screen printing frame should not lie directly on the table, and be slightly up off the print surface (about 1/8”) for effective printing. (Note: A penny or two, taped to the bottom of the frame can help with this.)
- 4. Tape your stencil** Using the packing tape, tape off an area around your paper stencil that is slightly smaller than the paper stencil itself (*fig. 1*). This will keep ink from bleeding out from around the edge of your stencil.
- 5. Positioning paper** Place your printing paper under your screen, and your paper stencil on top of your printing paper, making sure it is placed squarely within the border you created with the tape. Guides made of small layers of masking tape adhered to the print table can help to keep all your papers in the same place when printing on them.
- 6. Positioning screen and stencil** Bring your screen down over your stencil and printing paper. There is no need to adhere the stencil to the screen – on your first pull of the squeegee, the ink you draw down across the screen will adhere the paper stencil to the underside of the screen for the duration of the print process.
- 7. Print your stencil** Mix your ink a bit with your spatula and make it a smooth consistency. Speedball Water-Based Acrylic Screen Printing Ink can be used right out of the jar. Line a bead of ink across the edge of the screen farthest from you (*fig. 2*). For your “print stroke,” hold your squeegee at a 45 degree angle and draw the ink toward you, applying the same amount of pressure as you might use pushing open a heavy door. Bring the squeegee up off the screen at the end of your stroke (*fig. 3*). Accurate squeegee pressure can take some time to get used to, so don’t worry if you don’t get it right on the first try. After lifting your squeegee, place it behind the bead of ink you previously pulled down the screen and lightly push the bead of ink back up to the top of the screen (*fig. 3*). This is called the “flood stroke” and does not require any pressure on the squeegee at all. It is meant to lubricate the screen, keep the ink from drying in the stencil, and bring the ink back up to the top of the screen in order to print again.

8. Remove the print Place a block, jar, or custom-made kickstand underneath your screen to keep the screen up. Remove your printed sheet and place it on a drying rack, hanging line, or flat surface to dry. Speedball Acrylic Inks take only a few minutes to dry.

9. Repeat Print using the same stencil. If properly adhered to the screen without warping or wrinkles, a strong paper stencil can last up to as many as 50 to 100 prints.

10. Drying Speedball Screen Printing Inks are water-based acrylic and fast-drying. A printed image on paper can be dry within 10-15 minutes, sometimes sooner.

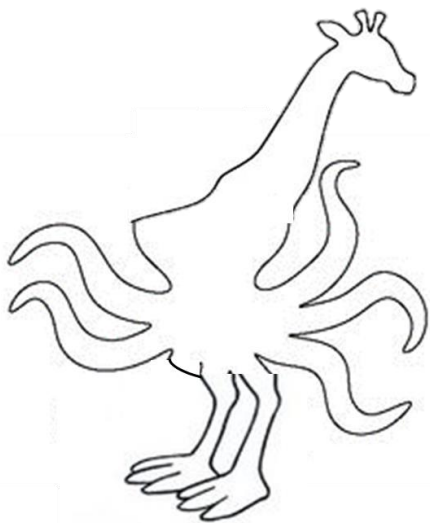
WARNING: *This applies to the ink on the screen as well. Ink left in screens will dry into the screen, making images difficult or impossible to print, and potentially permanently damage the fabric of the screen fabric itself.*

11. Repeat process After the prints have dried, repeat the process using the next stencil.

12. Clean up Gather excess ink on the screen with your spatula and return it to the jar for later use. Promptly clean the ink from the screen to avoid the ink drying into the screen and affecting the screens print quality for future prints. The paper stencils and ink are easily cleaned up by washing the screen and squeegee out with water, soap, and a sponge.

TIP

❑ Unintended screen printing is not bad screen printing. If a paper stencil does not adhere as desired to a screen, it can be just as successful an outcome for the student to experiment with the faulty stencil; ripping, partial printing, or even printing upside down can all be potential explorations a student can attempt with a faulty screen.



Speedball®



Collaborative Creatures